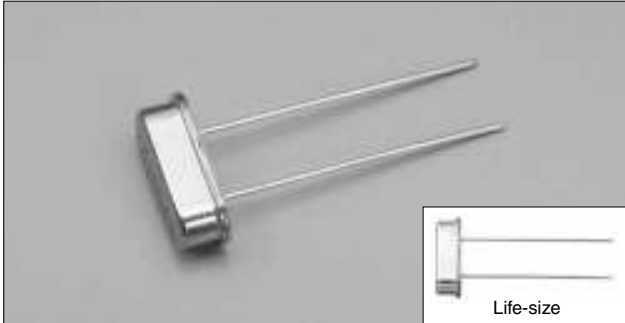


AT-CUT CRYSTAL UNIT (Metal-can Type)

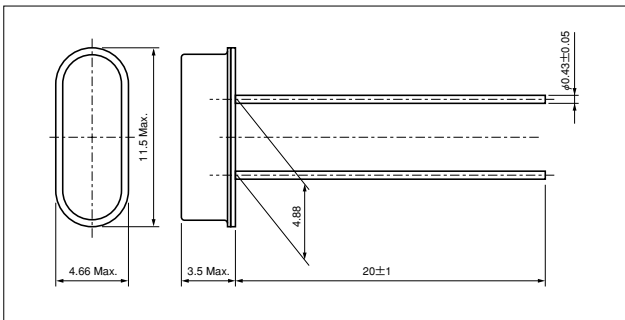
RoHS compliant HC-49/U-S



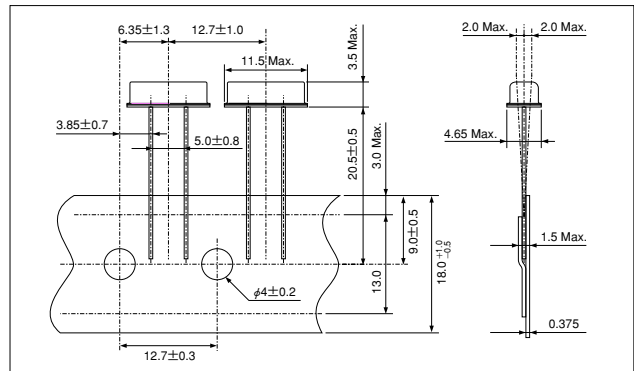
FEATURES

- Available in Tape and reel form.
- Suitable for various applications such as communication devices, AV devices and measuring instruments.

DIMENSION [mm]



Taping dimension : 2000pcs/Ammo pack [mm]



STANDARD SPECIFICATIONS

Item	Model	HC-49/U-S	Conditions
Nominal Frequency	f ₀	3.5MHz~30.0MHz (Fundamental)	Need to contact us for the available frequency
		30.0MHz~50.0MHz (3rd Overtone)	
Frequency Tolerance	$\Delta f/f_0$	±30ppm	at 25°C
Frequency Tolerance over Operating Temperature Range	$\Delta f/f_0$	below 6.0MHz: ±50ppm	-10°C~+60°C
		above 6.0MHz: ±30ppm	
Operating Temperature Range	T _{OPR}	-20°C~+70°C	
Storage Temperature Range	T _{STR}	-40°C~+85°C	
Motional (series) resistance	R ₁	Refer to the following table	at 25°C
Load capacitance	C _L	Fundamental:10.0pF~∞ 3rd Overtone:5.0pF~∞	Need to specify your requirement
Shunt capacitance	C ₀	7.0pF Max.	
Level of drive	DL	100 μW	
Insulation Resistance	I _R	500MΩ Min.	DC100V±15V
Aging (first year)	$\Delta f/f_0$	±5ppm Max.	25°C±3°C

MOTIONAL (SERIES) RESISTANCE (R₁)

Frequency Range	3.5MHz≤f ₀ <4.0MHz	4.0MHz≤f ₀ <6.0MHz	6.0MHz≤f ₀ <10MHz	10MHz≤f ₀ <14MHz	14MHz≤f ₀ <30MHz	30MHz≤f ₀ <36MHz	36MHz≤f ₀ ≤50MHz
Mode	Fundamental	Fundamental	Fundamental	Fundamental	Fundamental	3rd Overtone	3rd Overtone
R ₁	200 Ω Max.	150 Ω Max.	100 Ω Max.	80 Ω Max.	50 Ω Max.	140 Ω Max.	100 Ω Max.